

## Mixer Tap Skin Gold

Mixer Taps

Code: 8424 859



### DETAILS

Mixer type Single lever faucet with rotating barrel and flexible head.

Texture Satin

Coloring Gold

Finish PVD

Material Stainless steel AISI 316

Rotating angle 360°

Strengthening plate ø50mm

Cartridge With ceramic discs

Mixer hole ø35mm

Aesthetics parts

AISI 316 steel aesthetic parts with PVD treatment

---

Max worktop thickness

40mm

---

## FEATURES

Strengthening plate

Foster's mixer taps are equipped with the strengthening plate that offers perfect stability on any sink.

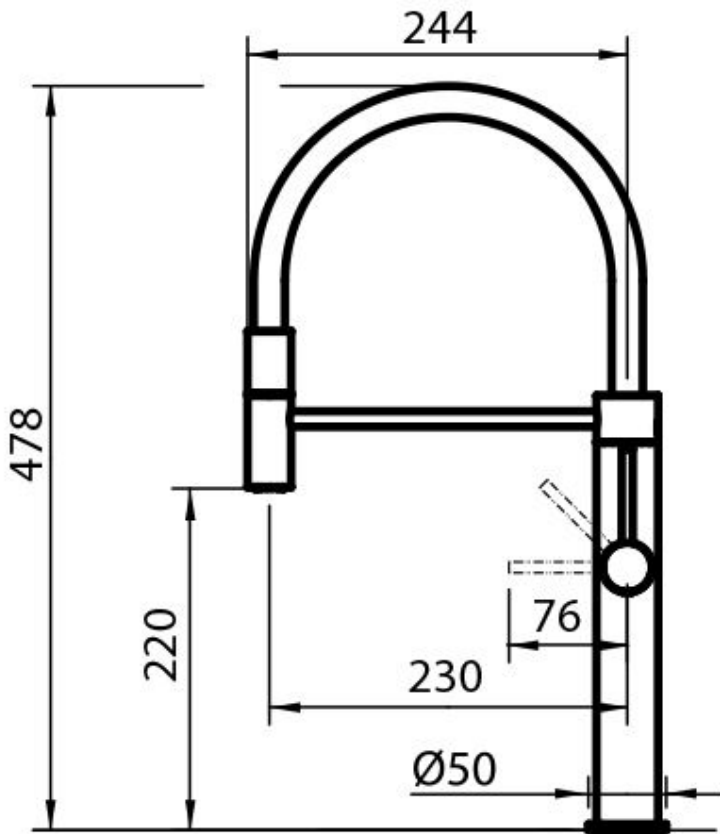
---

Rotating angle

All the taps have a wide angle of rotation. Some models even permit a full 360° rotation.

---

## TECHNICAL DATA



## GALLERY

